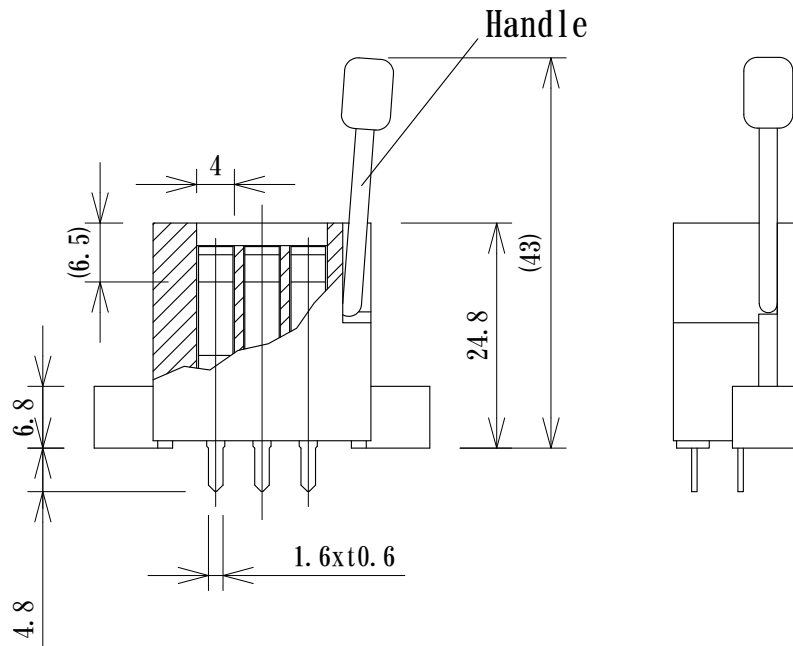
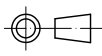


PC Board Layout
(Top View)



Date		JC ELECTRONICS CORPORATION
2021/05/19		
Materials Finish		BODY : Thermoplastic PIN : Copper Alloy, Au plating over Ni
Dimensions Style mm [inch]		Title POWER TRANSISTOR IC TEST SOCKET
 Third Angle Projection		Part Number
Rev. No	0	T3P-H248-ZIF-E