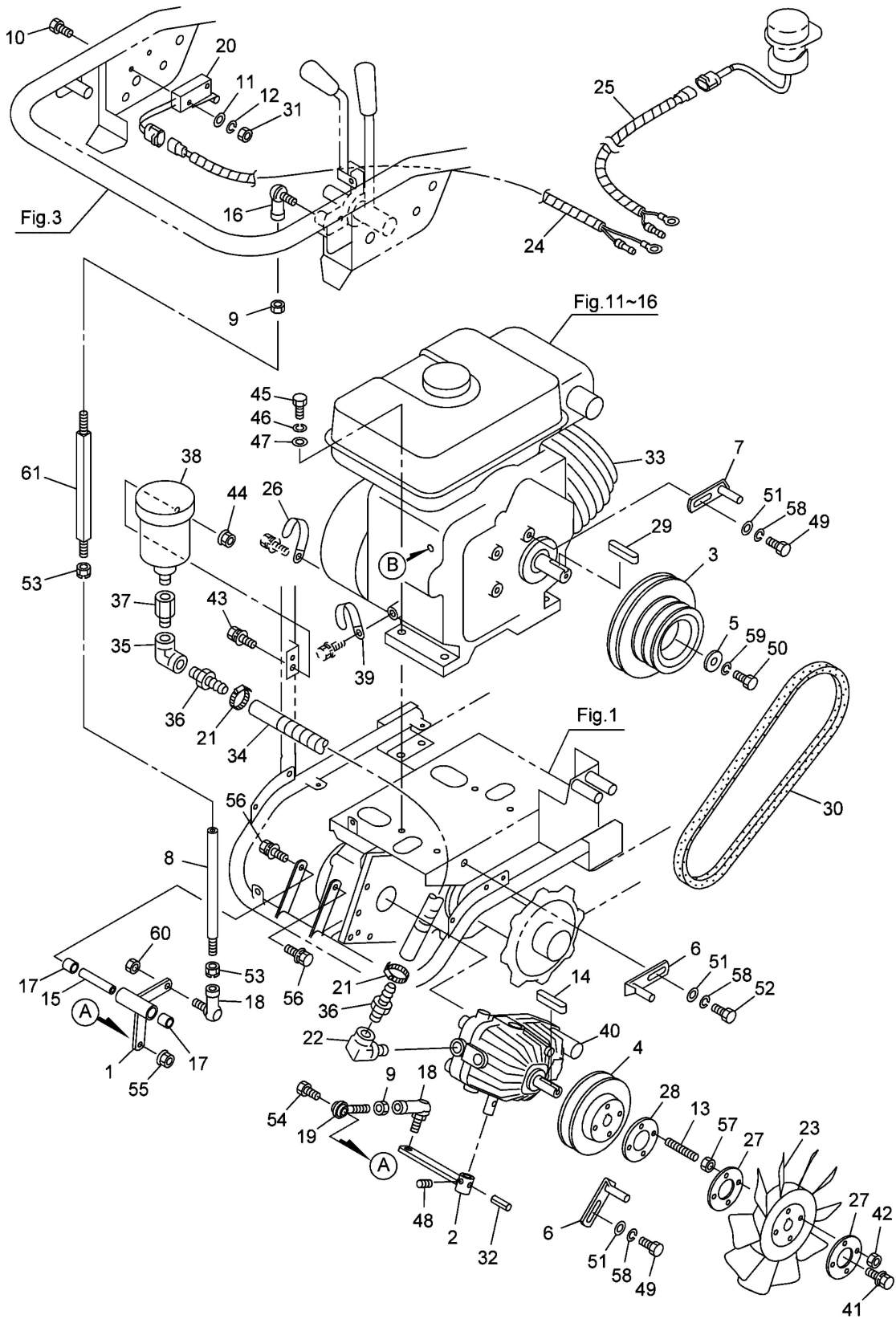


2. MRS40H-151 HST



523511-02