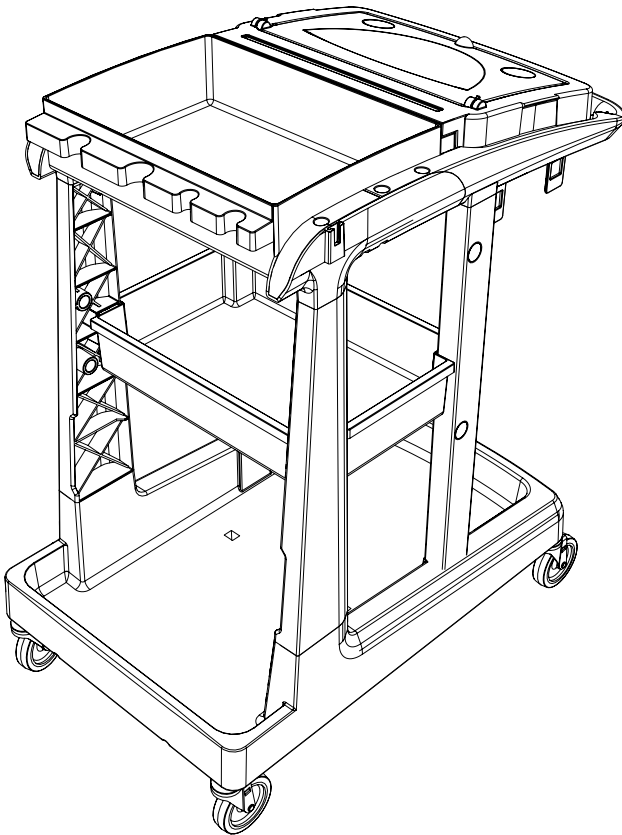


EM-1

Numatic

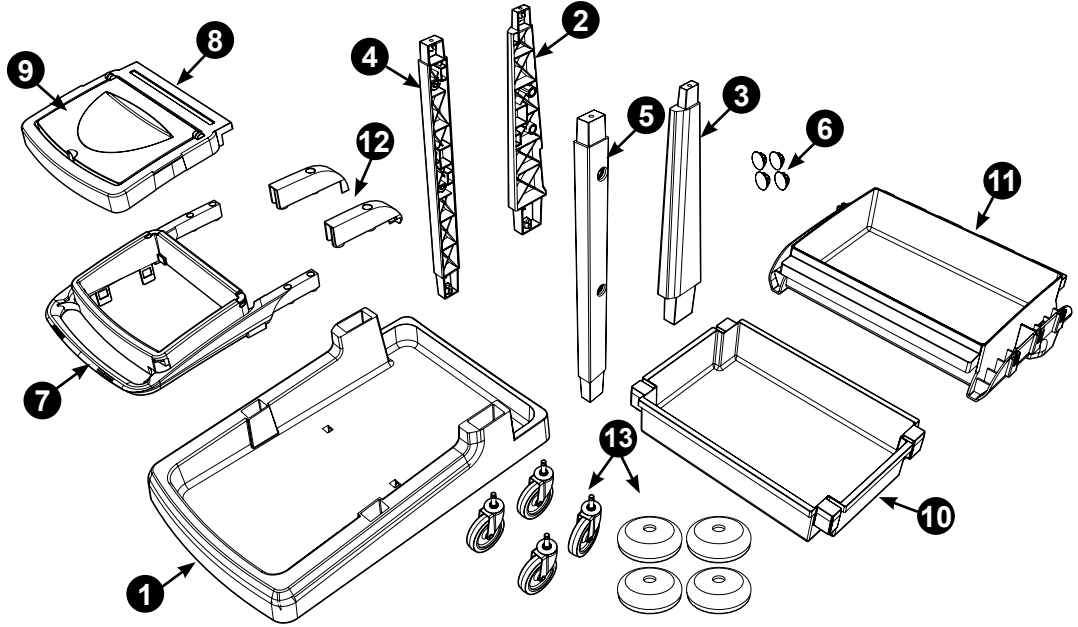
numatic.com



Original Instructions

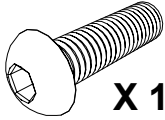


0.25 HR



Item	Description	Qty
1	Ecomatic Short Reflo Base	1
2	Front Right Hand Reflo Upright	1
3	Front Left Hand Reflo Upright	1
4	Rear Right Hand Reflo Upright	1
5	Rear Left Hand Reflo Upright	1
6	Hole Plug	4
7	Reflo Bag Frame	1
8	Reflo Bag Securing Frame	1
9	Lid Moulding	1
10	Reflo Tray	1
11	Reflo Top Tray	1
12	Ecomatic Cover Moulding	2
13	Castors & Buffers (Buffers Optional Extra)	4

M8 25mm
Socket Bolt



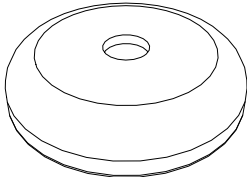
X 10

Allen Key

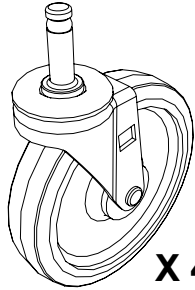
X 1



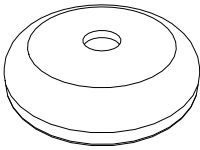
Buffer



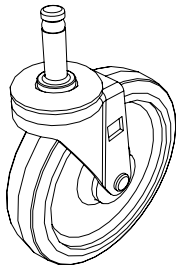
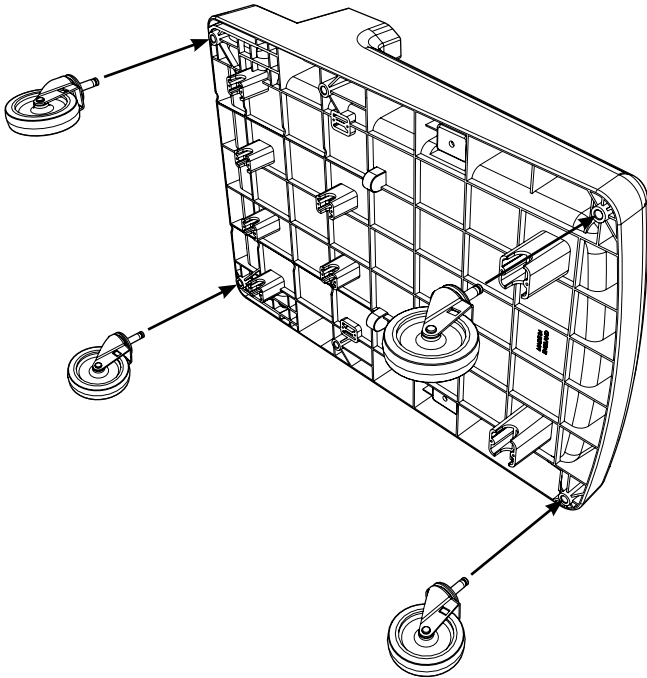
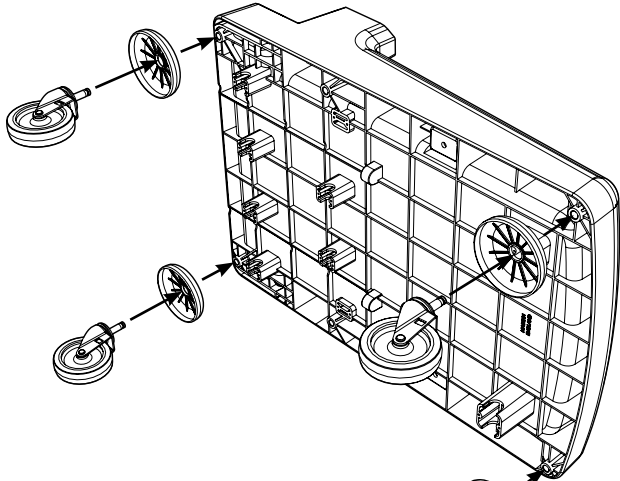
X 4



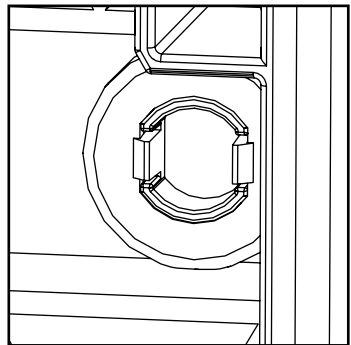
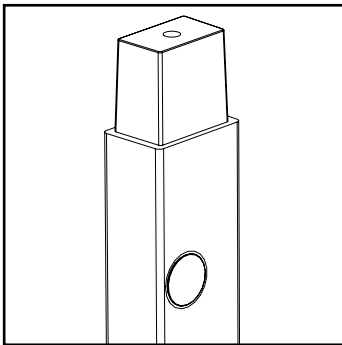
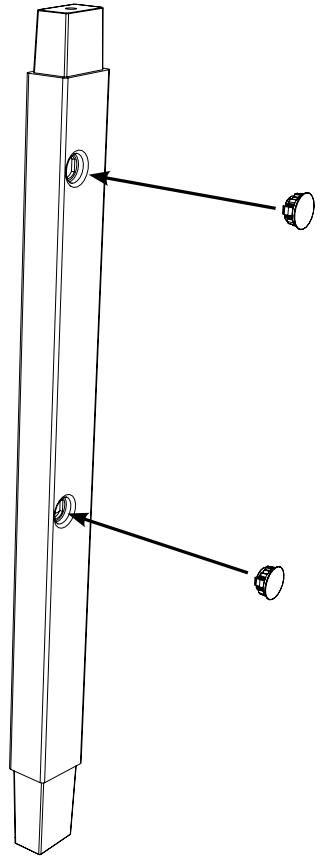
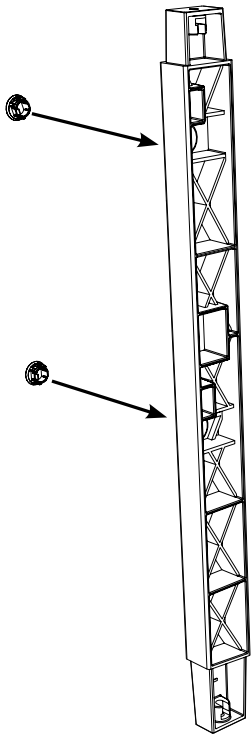
X 4

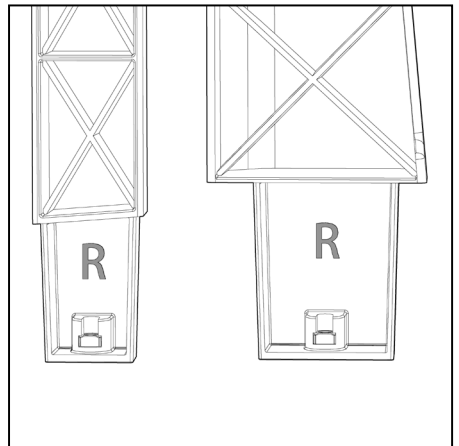
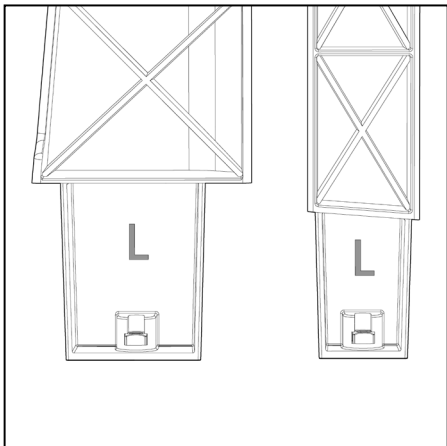
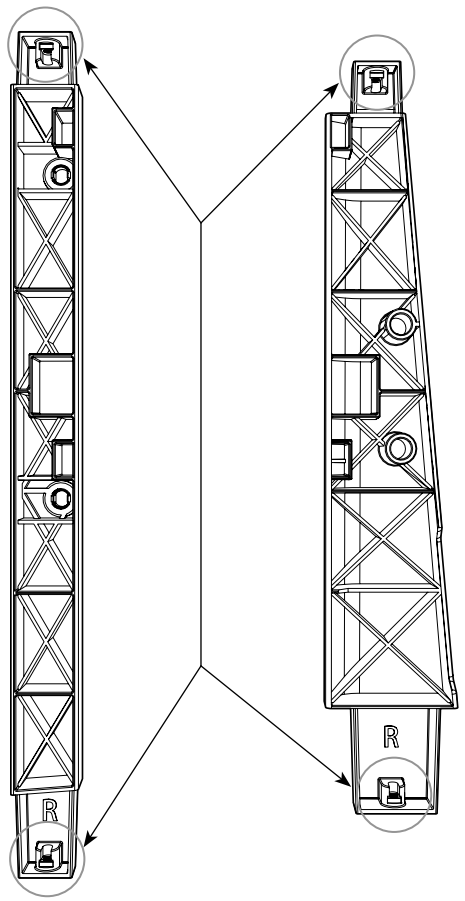
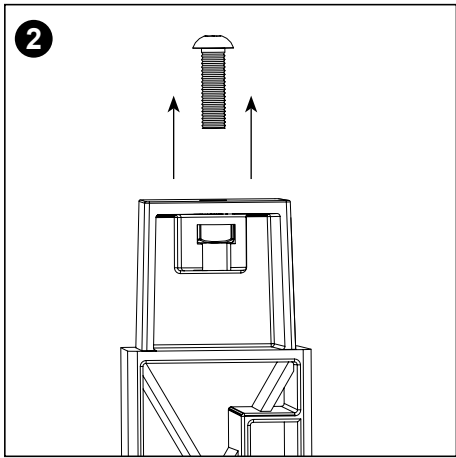
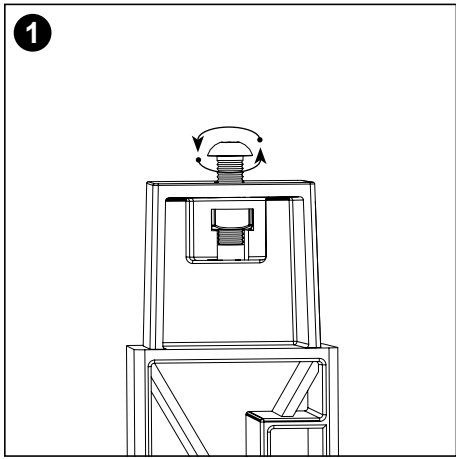


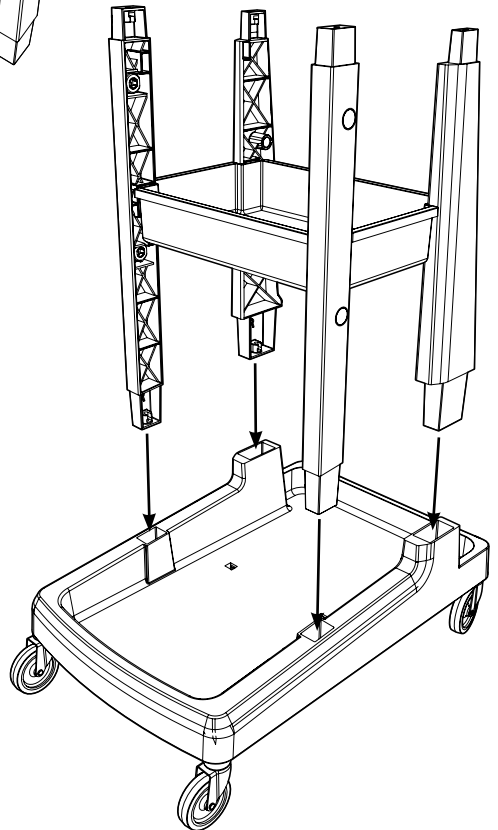
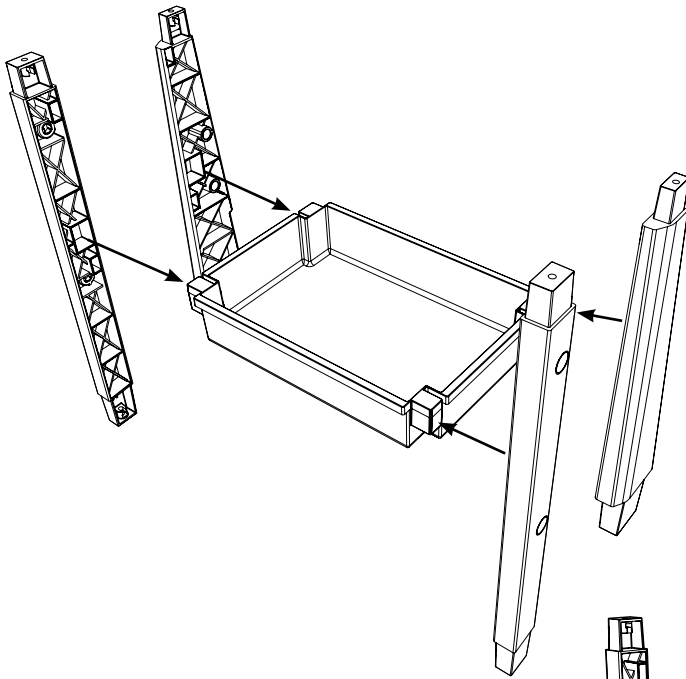
X 4

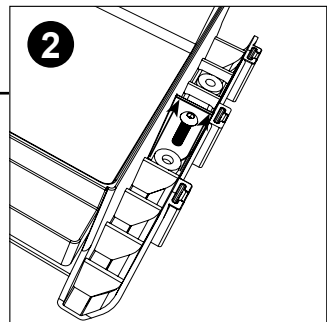
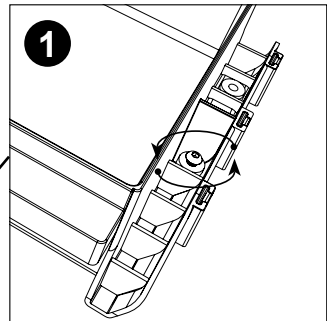
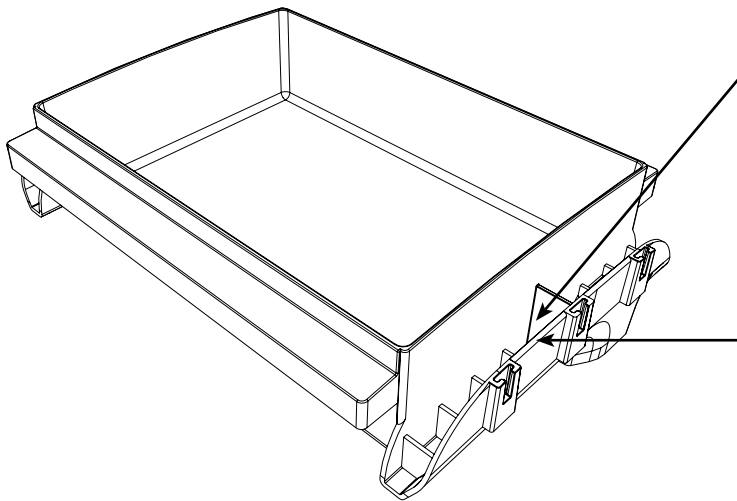
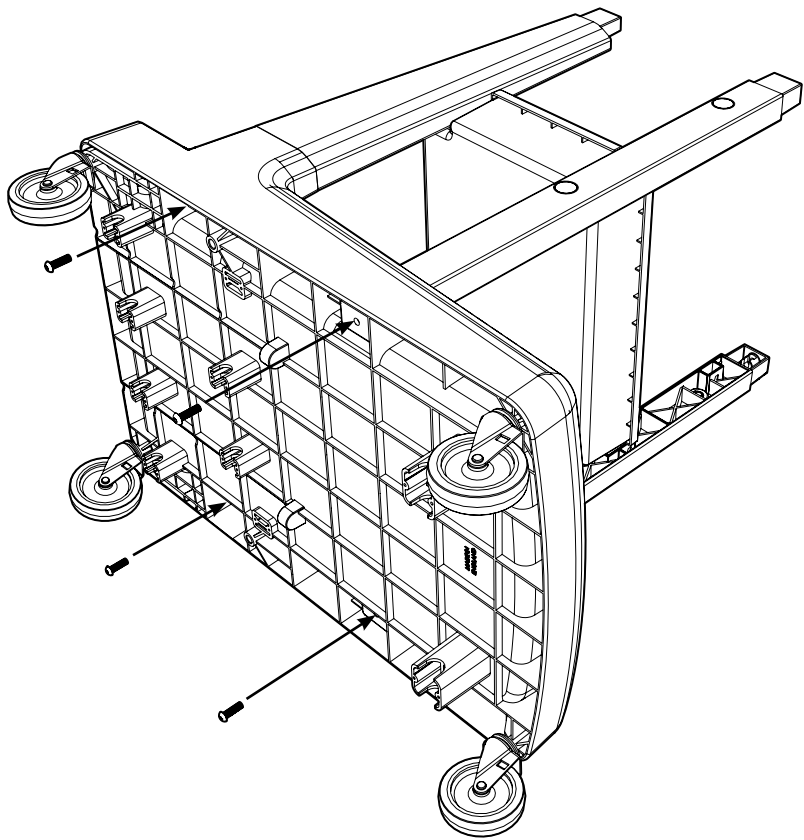


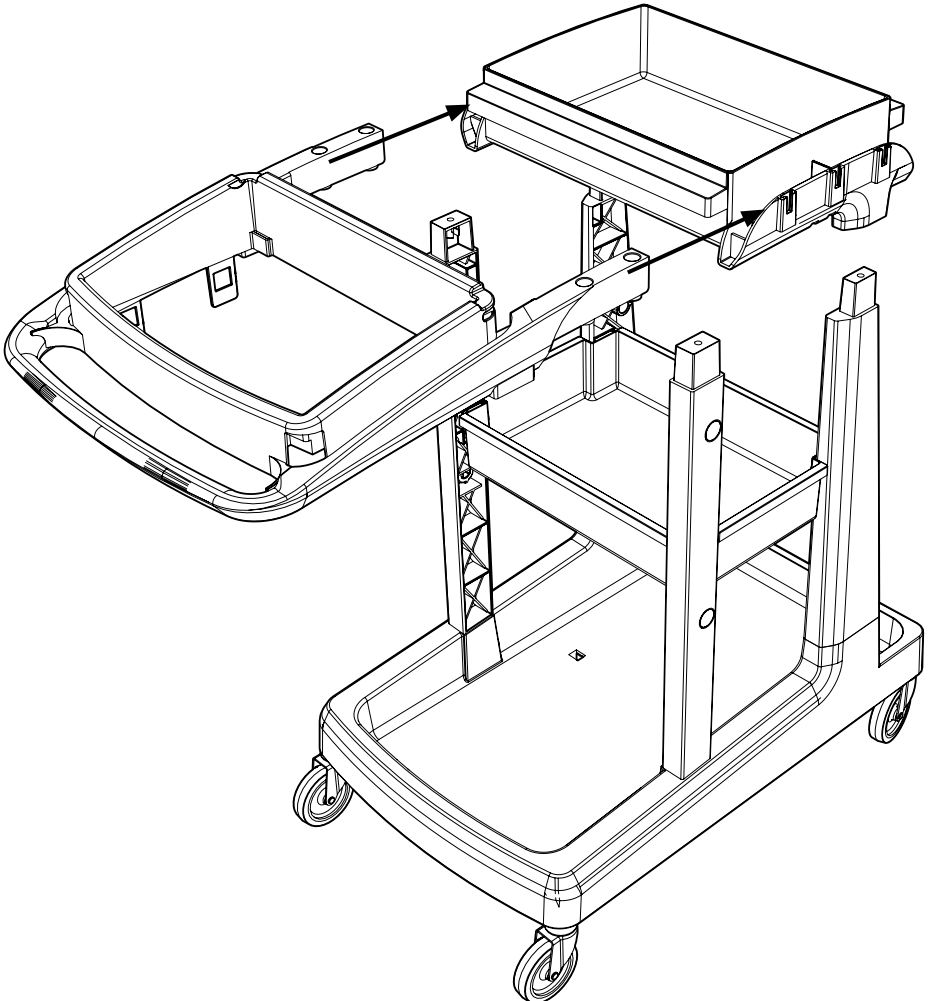
X 4

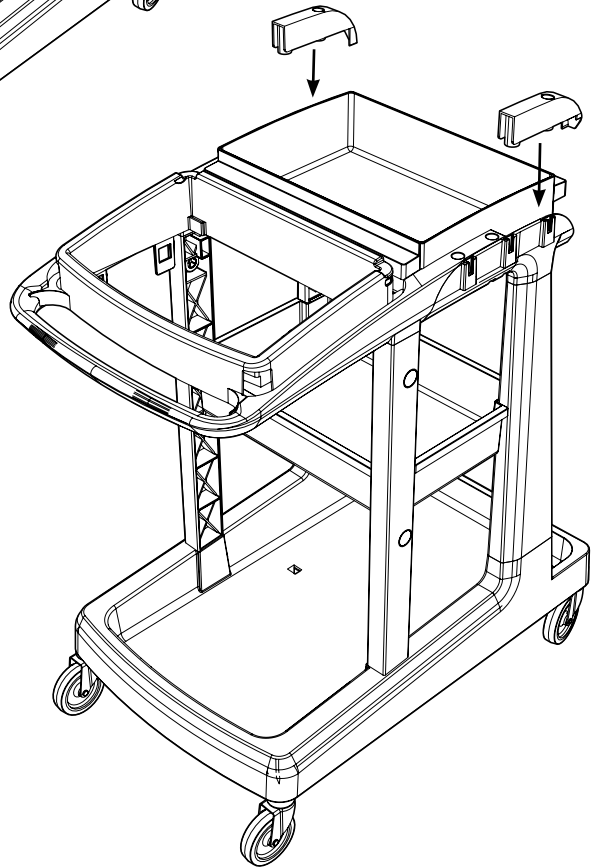
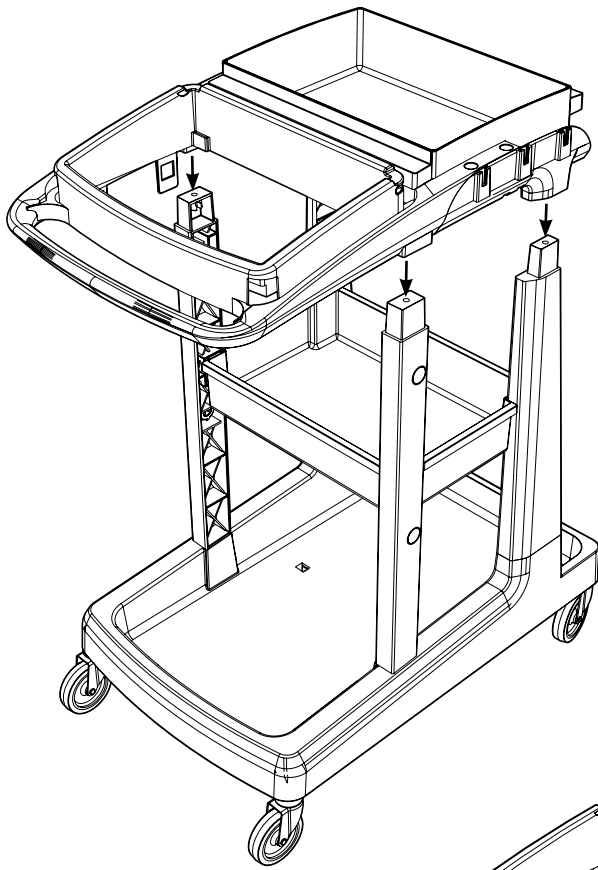


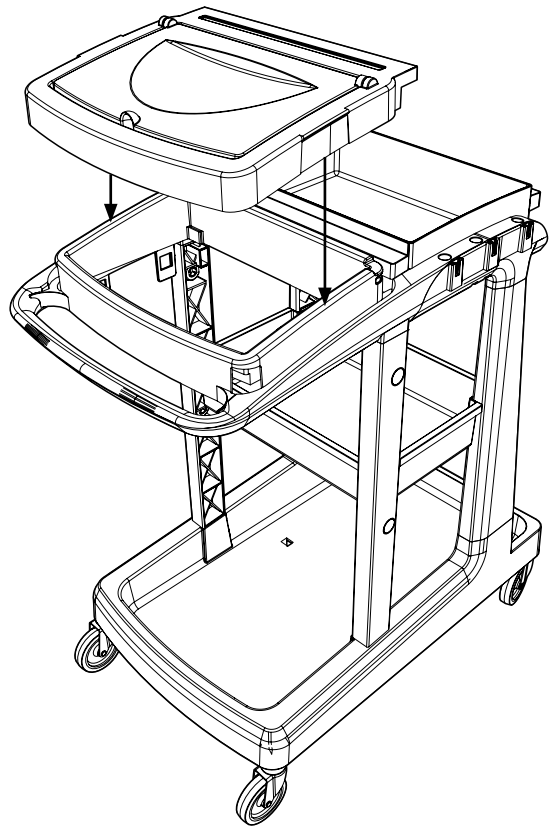
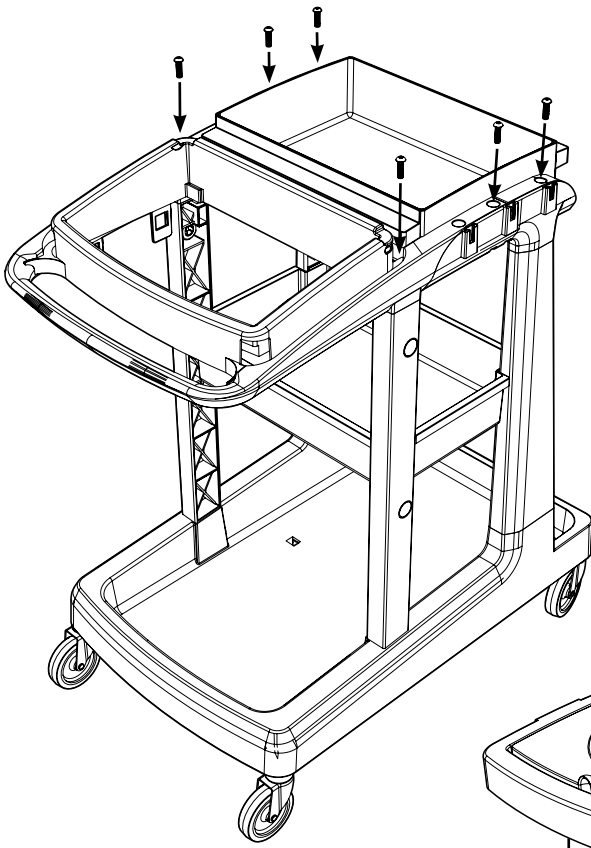






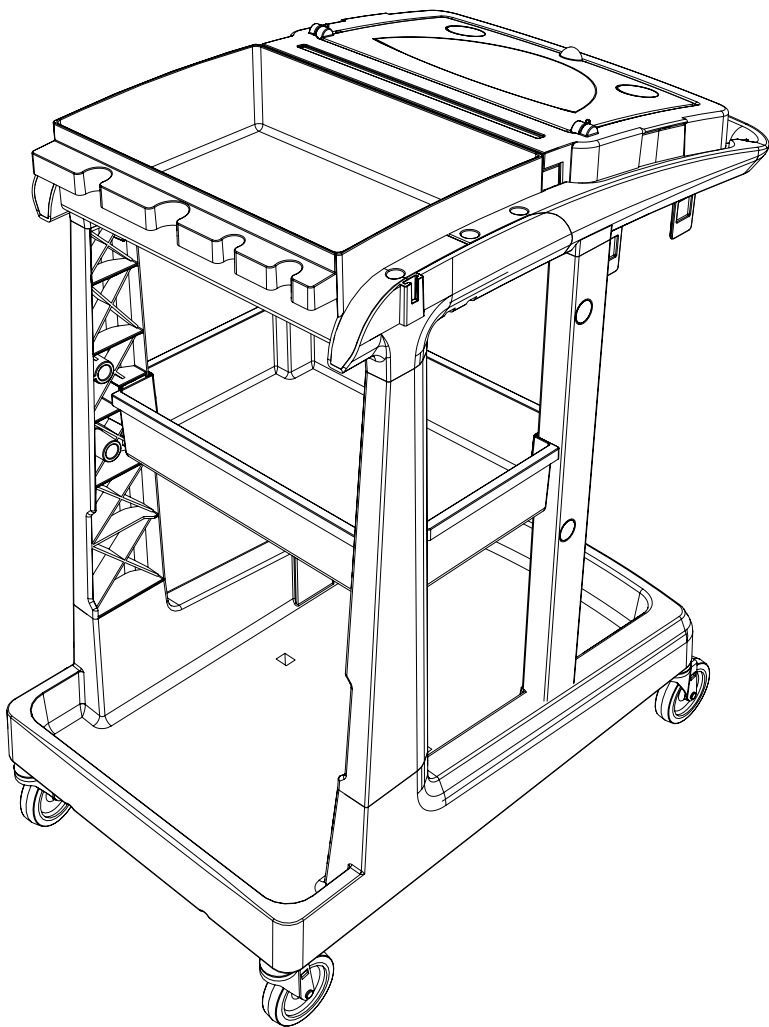






Notes:

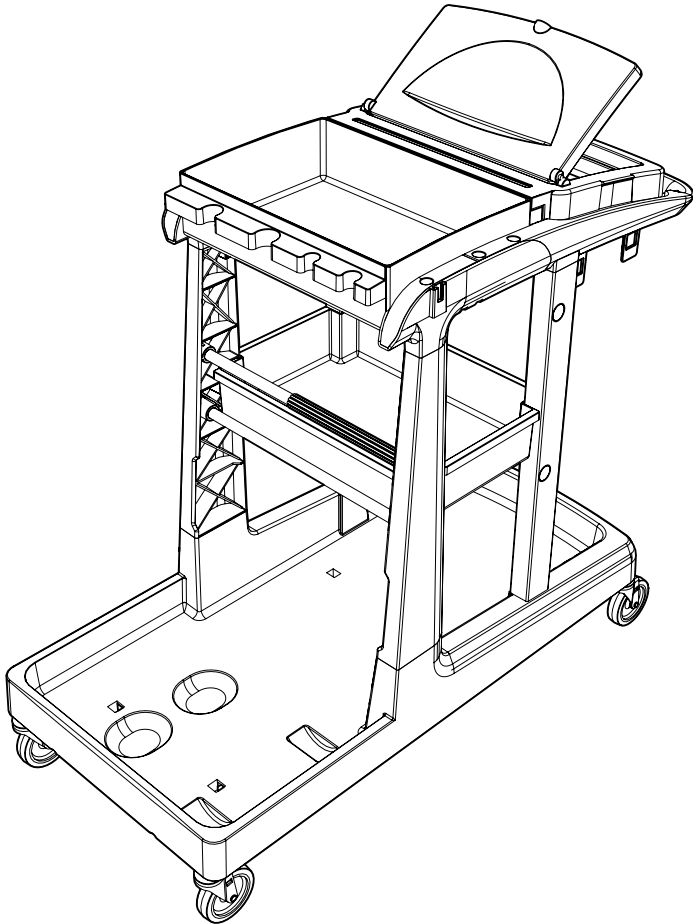
A large rectangular area with rounded corners, containing 25 horizontal dotted lines for writing. The lines are evenly spaced and extend across the width of the page.



EM-3

Numatic

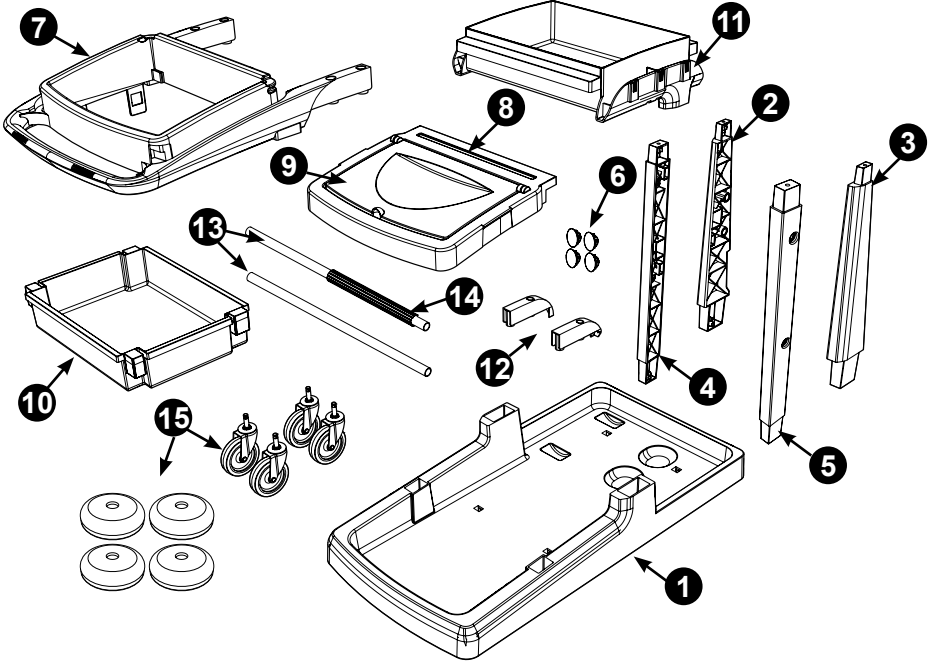
numatic.com



Original Instructions

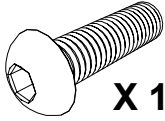


0.25 HR



Item	Description	Qty
1	Ecomatic long reflo base	1
2	Front right hand reflo upright	1
3	Front left hand reflo upright	1
4	Rear right hand reflo upright	1
5	Rear left hand reflo upright	1
6	Hole Bung	4
7	Reflo bag frame	1
8	Reflo bag securing frame	1
9	Lid moulding	1
10	Reflo tray	1
11	Reflo top tray	1
12	Ecomatic cover moulding	2
13	Press support tube	2
14	Mop tube profile	1
15	Castors & Buffers (Buffers Optional Extra)	4

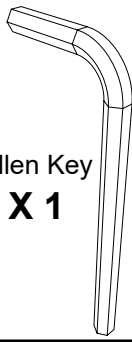
M8 25mm
Socket Bolt



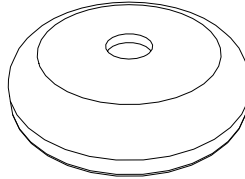
X 10

Allen Key

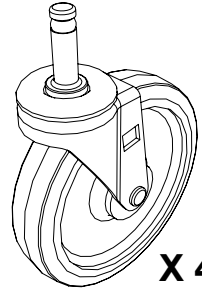
X 1



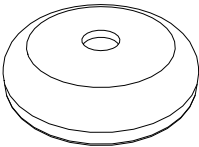
Buffer



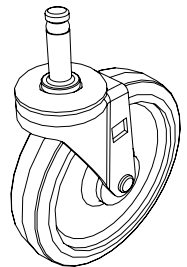
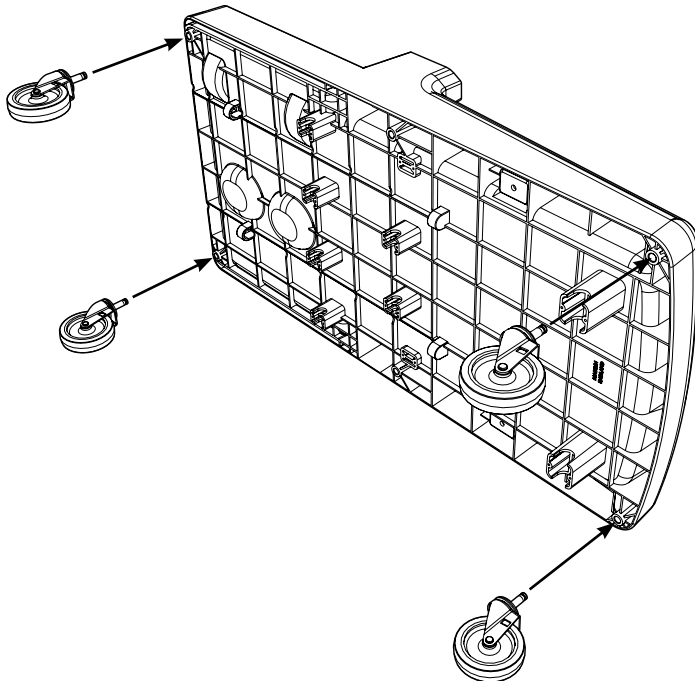
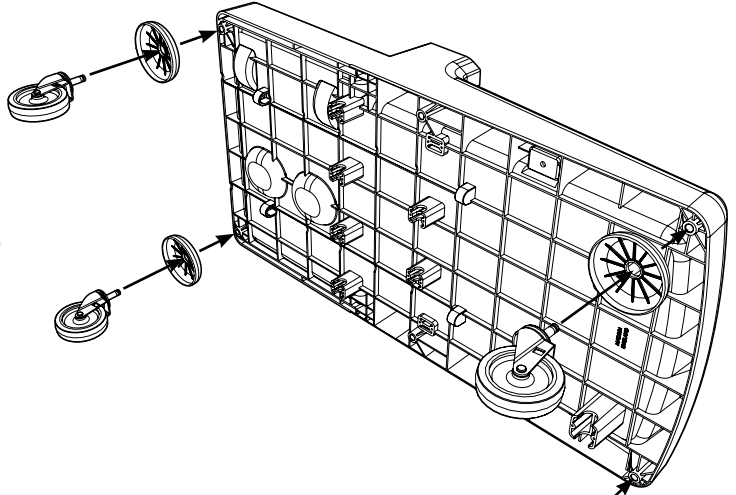
X 4



X 4



X 4



X 4

